



H1C.45 & H1A.60

H SERIES







MODELS

H1C.45
single hinged leaf

H1A.60
single hinged leaf



MODELS

H1C.45



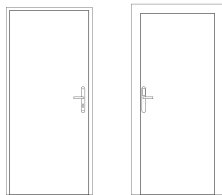
description

Hinged wooden door with coplanar leaf and frame on both sides. The frame is made of solid wood pieces and contains acoustic and intumescent seals that ensure the necessary tightness against flames and hot gases, as well as a high acoustic attenuation.

The leaf is made of a solid wood edge and contains thermal insulating and acoustic materials according to the TRIA constructive system.

An automatic seal may be incorporated on the leaf, if necessary. The pivoting behavior of the door is ensured by three hidden hinges TECTUS – SIMONSWERK or by three visible hinges exclusive of this series.

specification



model | typology

H1C.45 | single hinged leaf

classification achieved when tested

FR integrity (EN 1634-1) ⁽¹⁾	E 45
FR integrity and insulation (EN 1634-1) ⁽¹⁾	EI ₁ 45 / EI ₂ 45
acoustic (ISO 717-1)	44 dB

⁽¹⁾ classification according to standard EN 13501-2

dimensions (mm)

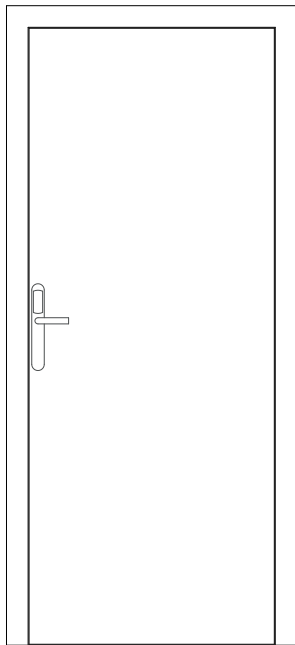
W x H (standard) ⁽²⁾	800 / 900 x 2000 / 2100
W maximum	1043 (EI 45) / 1150 (EI 30)
H maximum	2763 (EI 45) / 3039 (EI 30)
external frame (standard)	W + 140 x H + 70
other dimensions	upon request

⁽²⁾ W x H = width x height = free passage

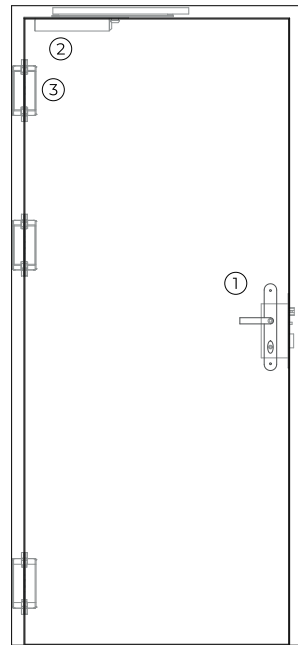
construction

leaf thickness (mm)	70
leaf weight (kg/m ²)	60
hinges (per leaf)	3 / 4 ⁽³⁾
finishing (standard)	mdf to paint
finishing (standard)	veneering in various woods / materials

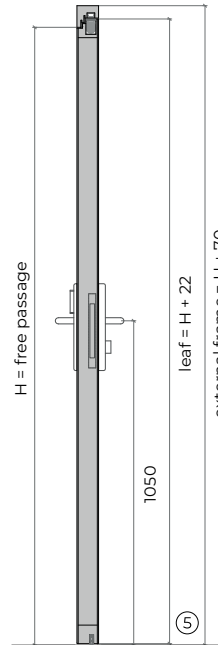
⁽³⁾ if leaf weight > 120 kg



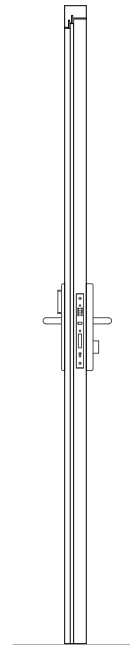
interior view



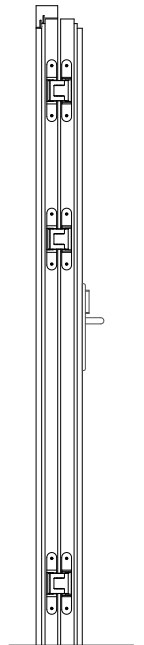
exterior view



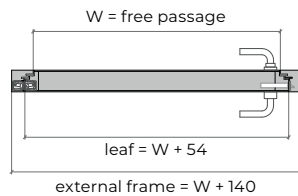
vertical section



lock top view



hinges top view



accessories and hardware

handle / anti-panic bar ⁽⁴⁾

- | | | |
|---|----------|--|
| 1 | standard | pair of handles with integrated access control system. |
|---|----------|--|

⁽⁴⁾ alternatively, the door may be equipped with handle and panic bar.

hidraulic door closer ⁽⁵⁾

- | | | |
|---|----------|--------------------------------------|
| 2 | standard | hidden door closer. |
| | optional | door closer with an articulated arm. |
| | optional | door closer with sliding rail. |

⁽⁵⁾ with electromagnetic hold-open (optional)

lock / counter lock

- | | | |
|---|----------|--|
| 3 | standard | anti-panic lock with 1 locking point (in case the door is equipped with handle and anti-panic bar, 1/2 cylindereuropean profile will be used). |
|---|----------|--|

hinges

- | | | |
|---|----------|----------------------------------|
| 4 | standard | 3 hidden hinges. |
| | optional | 3 visible hinges of this series. |

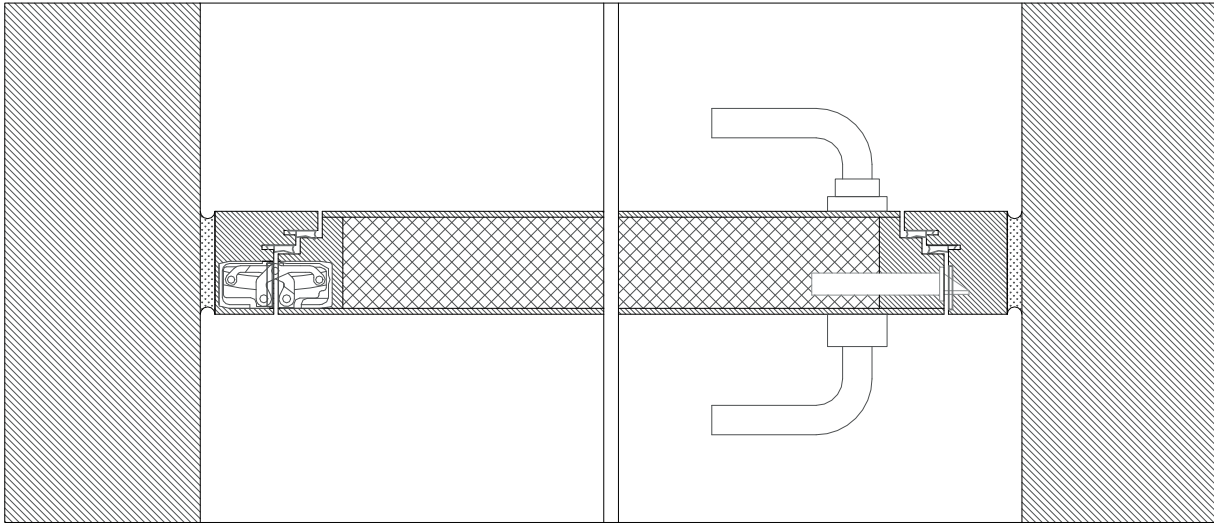
others

- | | | |
|---|----------|--------------------------------|
| 5 | optional | automatic seal. ⁽⁶⁾ |
|---|----------|--------------------------------|

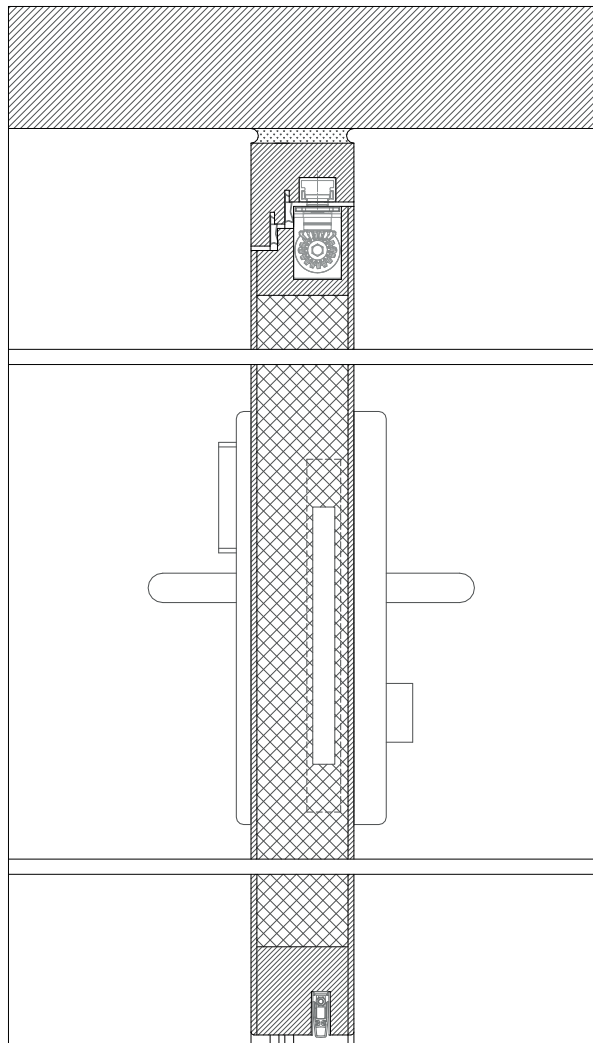
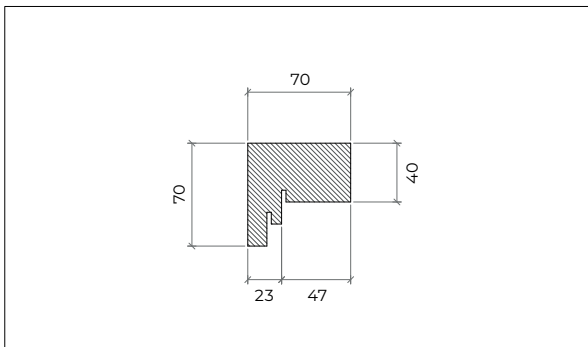
⁽⁶⁾ acoustic version.

Note: the drawings shown correspond to the door prepared for hotel room. All drawings are in millimeters

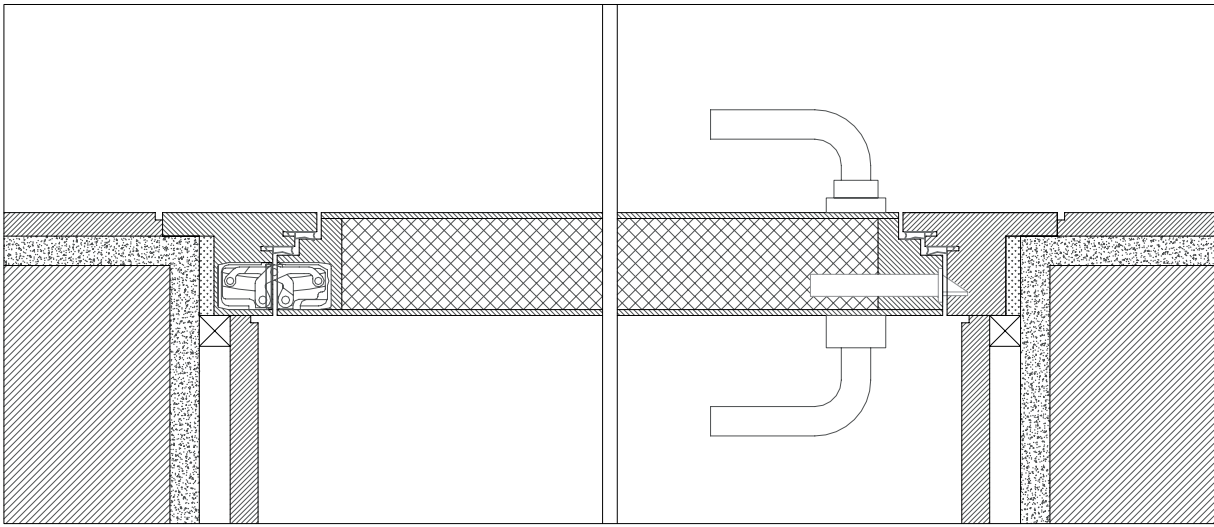
details



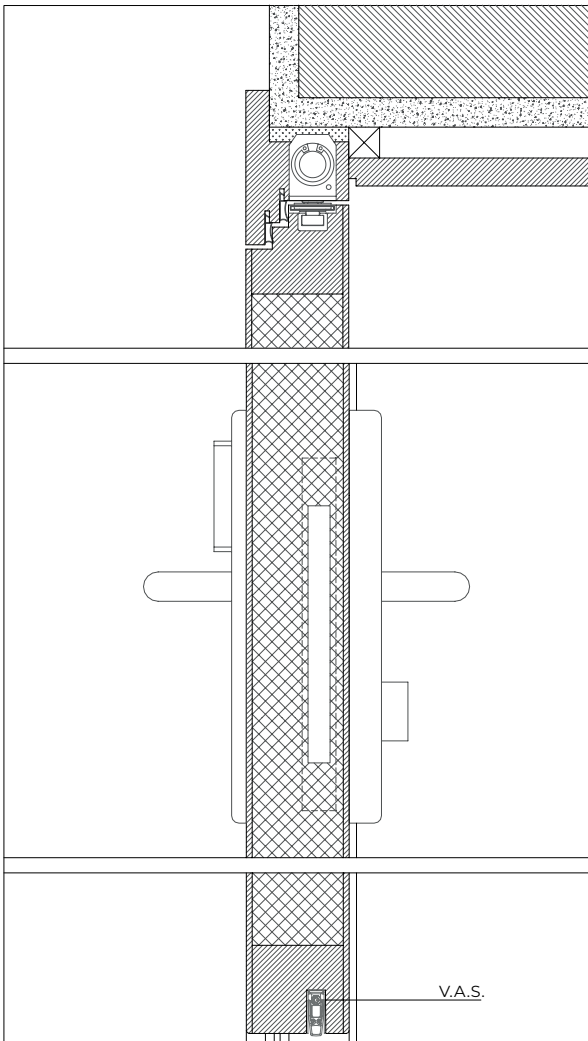
standard frame | concrete wall mounting | fixation with expandable foam



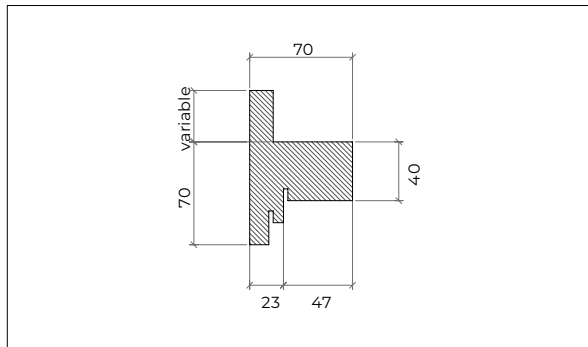
standard frame | concrete wall mounting | fixation with expandable foam



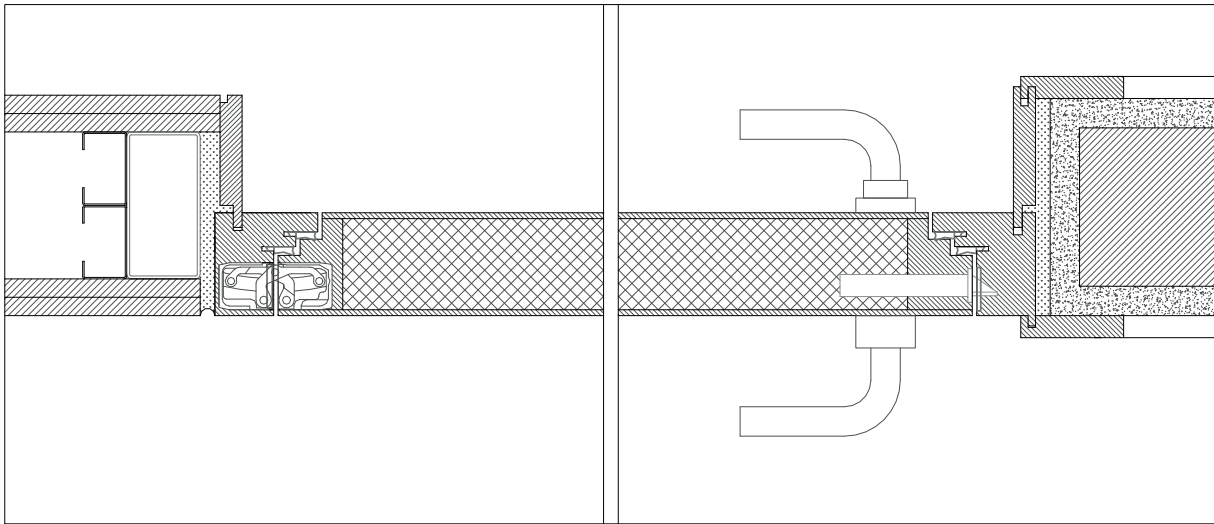
modified frame | masonry wall mounting | fixation with expandable foam | wood finishes



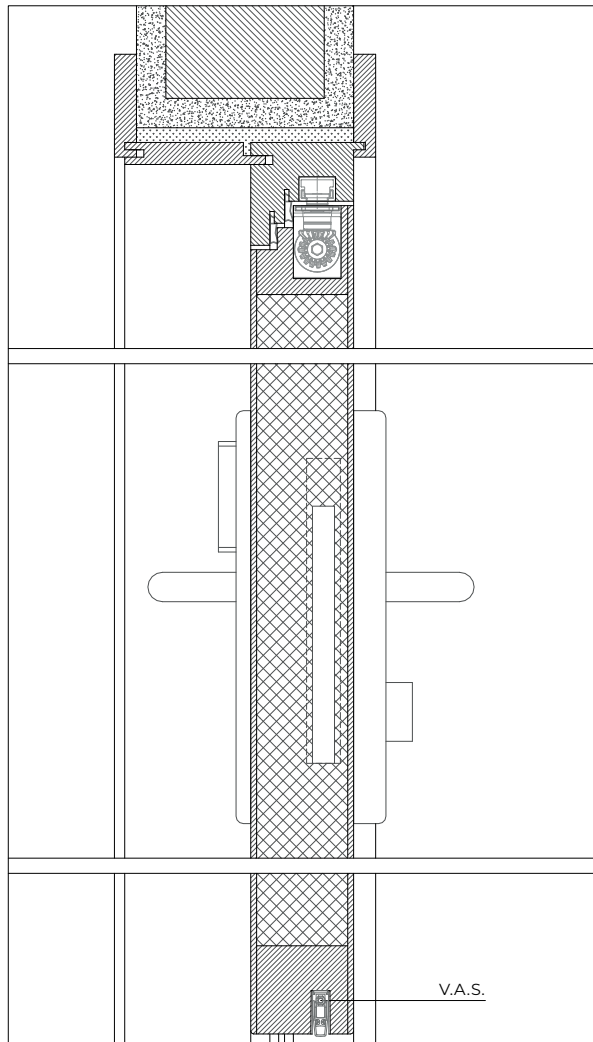
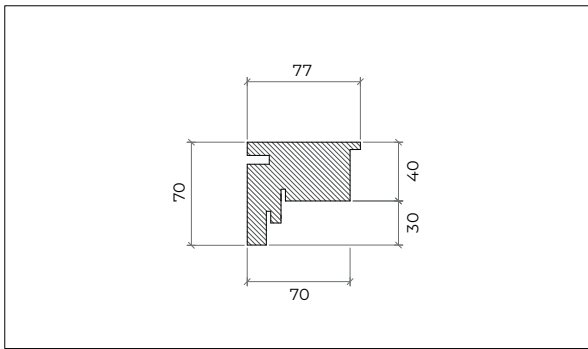
ceiling aligned with the door frame | inverted door closer to allow adjustment from the frame



All drawings are in millimeters.



modified frame | gypsum wall mounting / masonry wall | fixation with expandable foam | plaster and wood finishes



modified frame | masonry wall mounting | fixation with expandable foam | plaster and wood finishes



MODELS

H1A.60



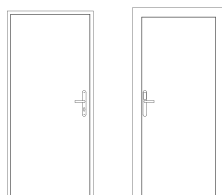
description

Hinged wooden door with coplanar leaf and frame on both sides. The frame is made of solid wood pieces and contains acoustic and intumescent seals that ensure the necessary tightness against flames and hot gases, as well as a high acoustic attenuation.

The leaf is made of a solid wood edge and contains thermal insulating and acoustic materials according to the TRIA constructive system.

An automatic seal may be incorporated on the leaf, if necessary. The pivoting behavior of the door is ensured by three hidden hinges TECTUS - SIMONSWERK or by three visible hinges exclusive of this series.

specification



model | typology

H1A.60 | single hinged leaf

classification achieved when tested

FR integrity (EN 1634-1) ⁽¹⁾	E 60
FR integrity and insulation (EN 1634-1) ⁽¹⁾	EI ₁ 60 / EI ₂ 60
acoustic (ISO 717-1)	39 dB

⁽¹⁾ classification according to standard EN 13501-2

dimensions (mm)

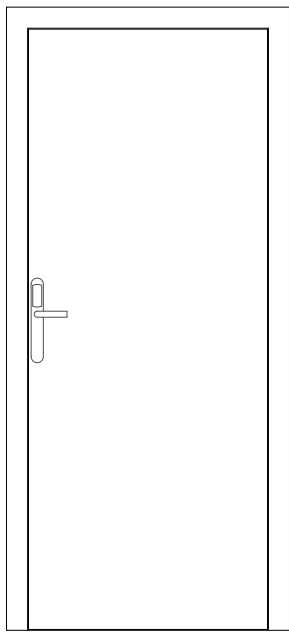
W x H (standard) ⁽²⁾	800 / 900 x 2000 / 2100
W maximum	900 (EI 60) / 1070 (EI 45) / 1185 (EI 30)
H maximum	2400 (EI 60) / 2831 (EI 45) / 3126 (EI 30)
external frame (standard)	W + 140 x H + 70
other dimensions	upon request

⁽²⁾ W x H = width x height = free passage

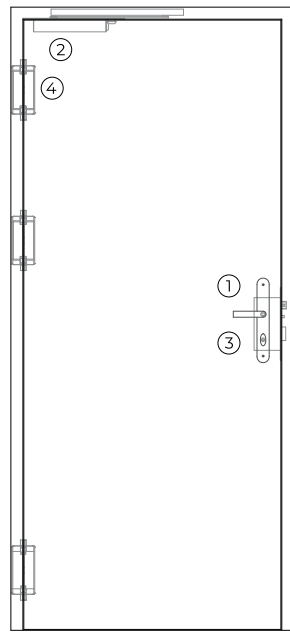
construction

leaf thickness (mm)	70
leaf weight (kg/m ²)	60
hinges (per leaf)	3 / 4 ⁽³⁾
finishing (standard)	mdf to paint
finishing (standard)	veneering in various woods / materials

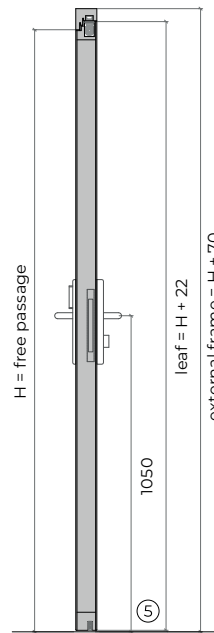
⁽³⁾ if leaf weight > 120 kg



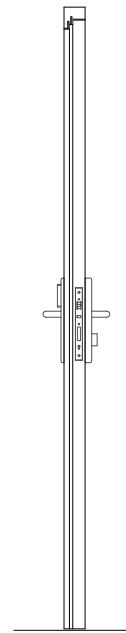
interior view



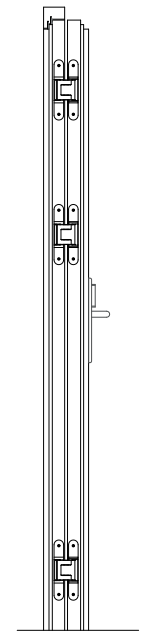
exterior view



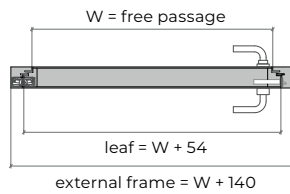
vertical section



lock top view



hinges top view

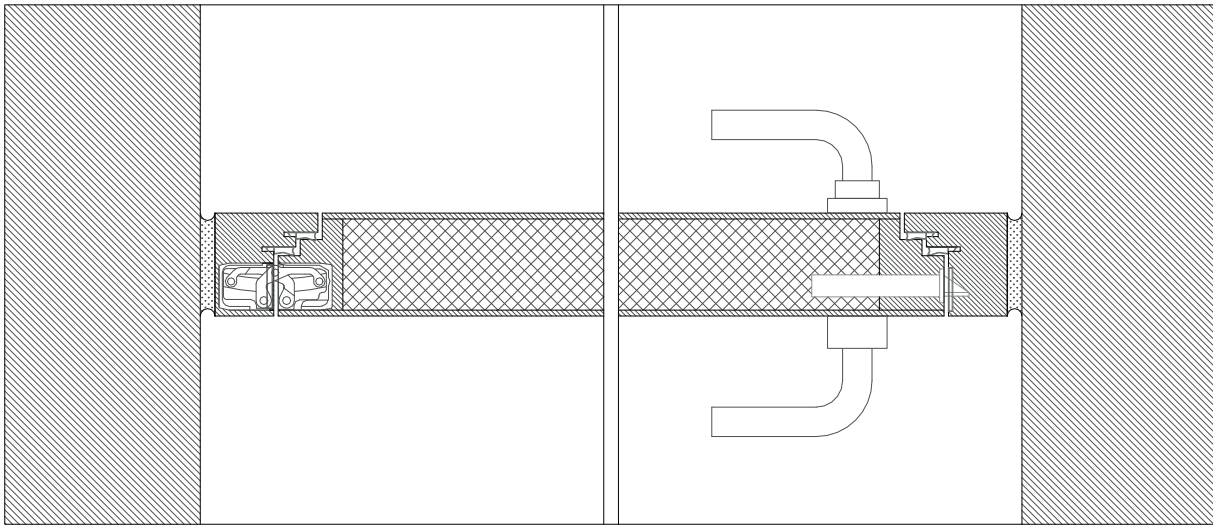


accessories and hardware

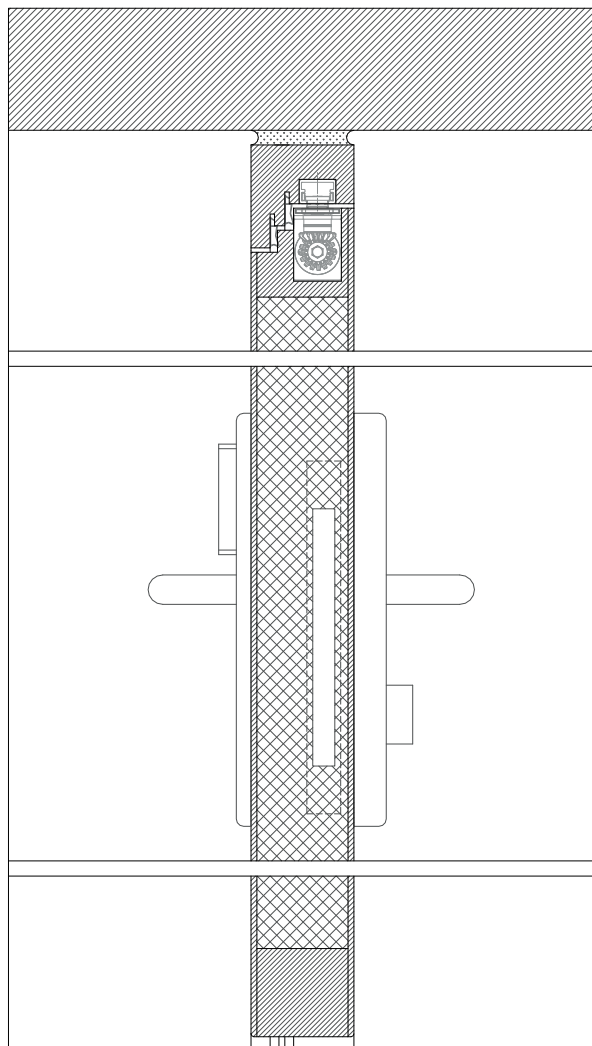
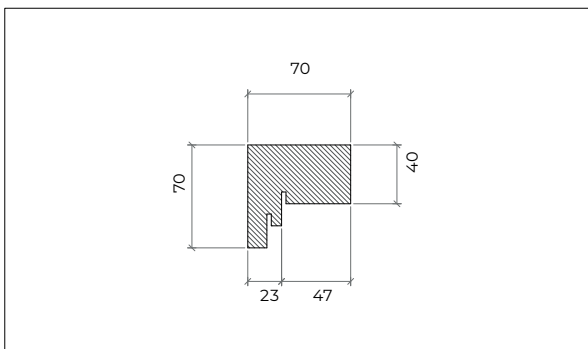
handle / anti-panic bar ⁽⁴⁾	1 standard	pair of handles with integrated access control system.
		⁽⁴⁾ alternatively, the door may be equipped with handle and panic bar.
hidraulic door closer ⁽⁵⁾	2 standard	hidden door closer.
	optional	door closer with an articulated arm.
	optional	door closer with sliding rail.
		⁽⁵⁾ with electromagnetic hold-open (optional)
lock / counter lock	3 standard	anti-panic lock with 1 locking point (in case the door is equipped with handle and anti-panic bar, 1/2 cylindereuropean profile will be used).
hinges	4 standard	3 hidden hinges.
	optional	3 visible hinges of this series.
others	5 optional	automatic seal. ⁽⁶⁾
		⁽⁶⁾ acoustic version.

Note: the drawings shown correspond to the door prepared for hotel room. All drawings are in millimeters

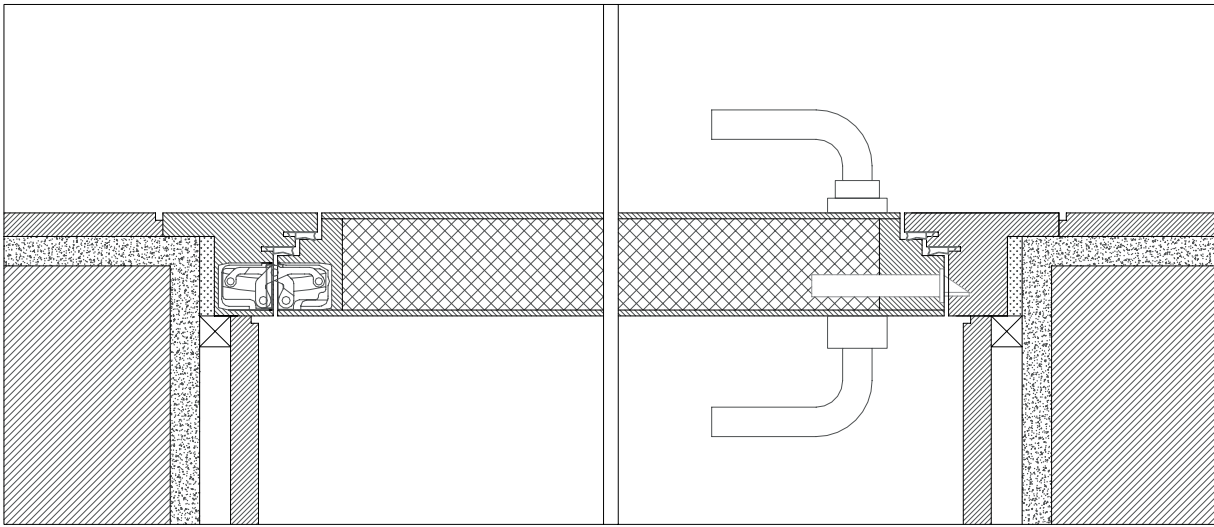
details



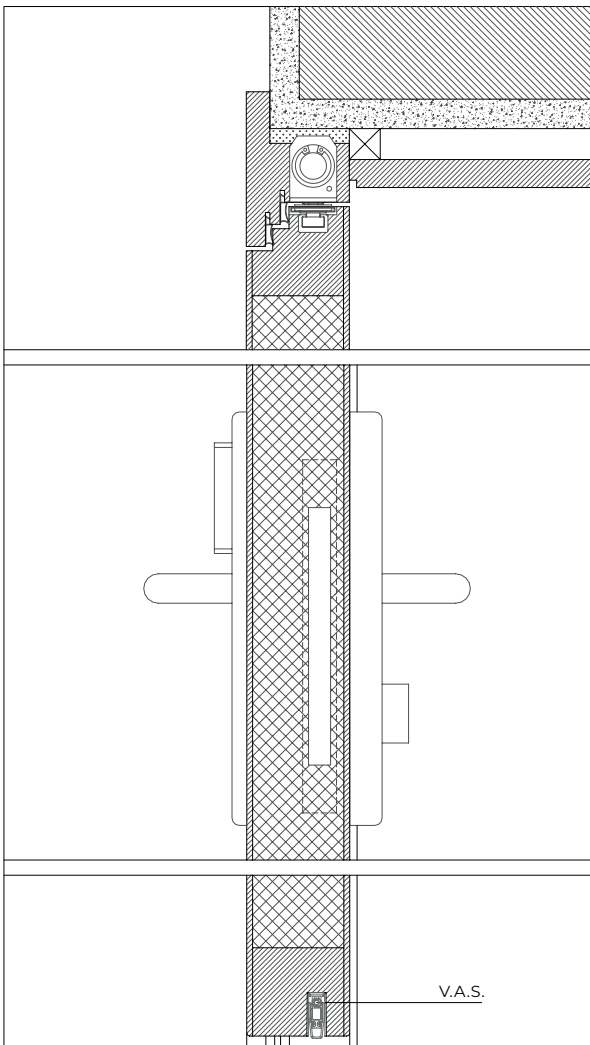
standard frame | concrete wall mounting | fixation with expandable foam



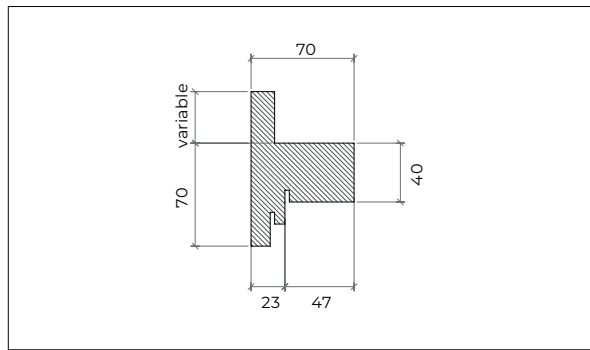
standard frame | concrete wall mounting | fixation with expandable foam

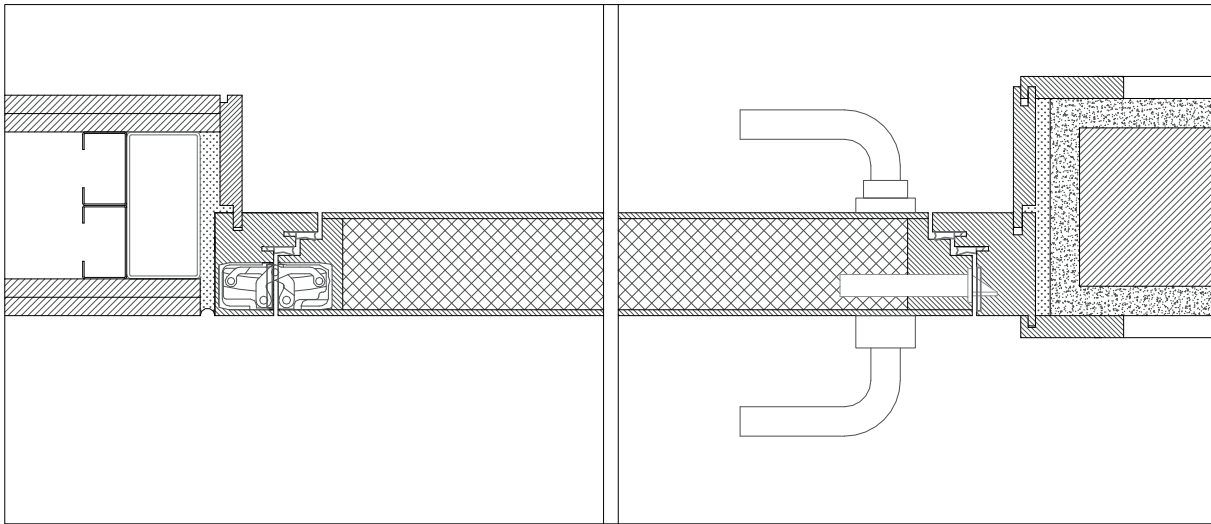


modified frame | masonry wall mounting | fixation with expandable foam | wood finishes

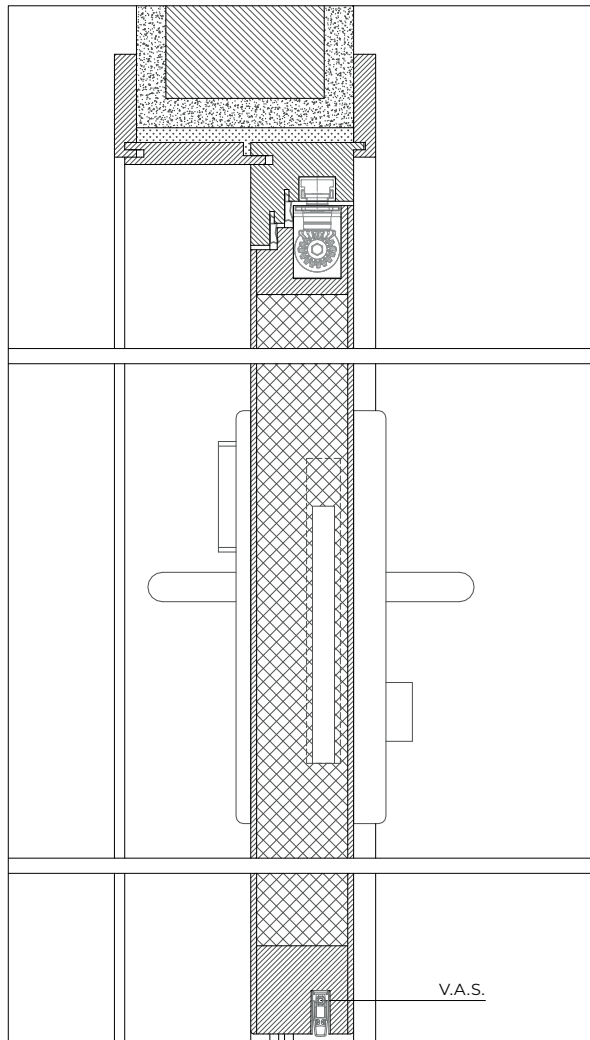
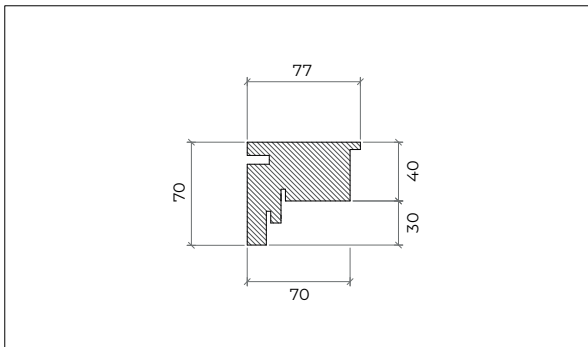


ceiling aligned with the door frame | inverted door closer to allow adjustment from the frame: solution approved up to E12 45





modified frame | gypsum wall mounting / masonry wall | fixation with expandable foam | plaster and wood finishes



modified frame | masonry wall mounting | fixation with expandable foam | plaster and wood finishes

GROUP COMPANY



TRIA SA.

Parque Ind. Manuel Lourenço Ferreira - Lt.43
3450 - 232 Mortágua, Portugal
//+351 231 927 480 //geral@tria.pt
www.tria.pt

VERS.**06.24**