



# H1C.45 SECURITY

H SERIES







**MODEL**

**H1C.45 SECURITY**  
single hinged leaf



MODEL

## H1C.45 SECURITY

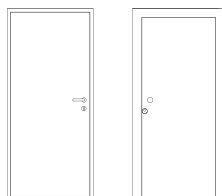
### description

Hinged wooden door with coplanar leaf and frame on both sides. The frame is made of solid wood pieces and contains acoustic and intumescent seals that ensure the necessary tightness against flames and hot gases, as well as a high acoustic attenuation.

The leaf is made of a solid wood edge and contains thermal insulating and acoustic materials. An automatic seal may be incorporated on the leaf, if necessary.

The pivoting behavior of the door is ensured by three hidden hinges. The H1C.45 Security model includes an high security lock with three locking points, equipped with sturdy hooks as well as an European profile cylinder, protected by a security escutcheon that prevents access to the cylinder.

## specification



model | typology

**HIC.45 SECURITY** | single hinged leaf

## classification achieved when tested

FR integrity (EN 1634-1) <sup>(1)</sup>	E 45
FR integrity and insulation (EN 1634-1) <sup>(1)</sup>	EI <sub>1</sub> 45 / EI <sub>2</sub> 45
burglar resistance (EN 1628   EN 1629   EN 1630) <sup>(2)</sup>	RC 2
acoustic (ISO 717-1)	44 dB <sup>(3)</sup>

<sup>(1)</sup> classification according to standard 13501-2

<sup>(2)</sup> classification according to standard 1627

<sup>(3)</sup> check page 10

## dimensions (mm)

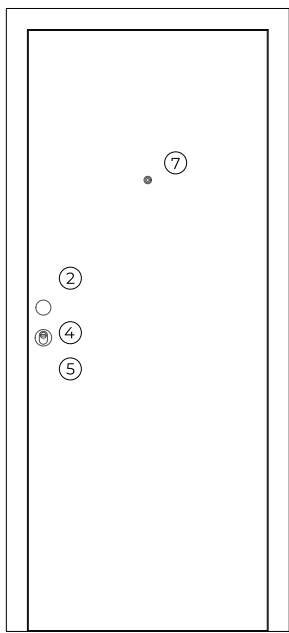
W x H (standard) <sup>(4)</sup>	800 / 900 x 2000 / 2100
W maximum	900 (EI 45) / 1040 (EI 30) / 990 (RC 2)
H maximum	2400 (EI 45) / 2760 (EI 30) / 2640 (RC 2)
external frame (standard)	W + 140 x H + 70
other dimensions	upon request

<sup>(4)</sup> W x H = width x height = free passage

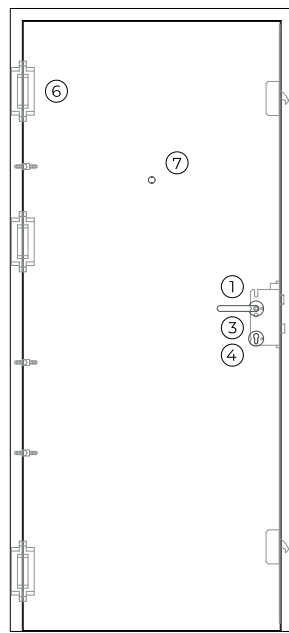
## construction

leaf thickness (mm)	70
leaf weight (kg/m <sup>2</sup> )	60
hinges (per leaf)	3 / 4 <sup>(5)</sup>
finishing (standard)	mdf to paint
finishing (optional)	veneering in various woods / materials (maximum thickness 4 mm)

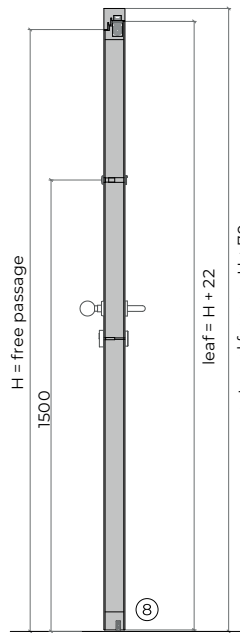
<sup>(5)</sup> if leaf weight > 120 kg



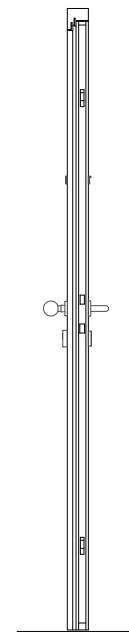
exterior view



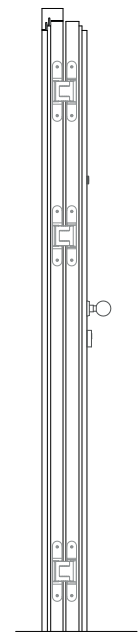
interior view



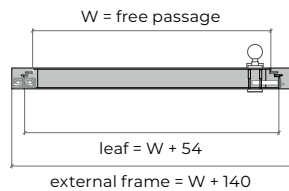
vertical section



lock top view



hinges top view



## accessories and hardware

### handle / anti-panic bar

1 standard lever handle (interior).

2 standard fixed ball handle (exterior).

### lock

3 standard high security lock from WINKHAUS with 3 locking points equipped with hook latches and automatic closing system.

### cylinder

4 standard high security cylinder (european profile).

optional cylinder with automatic open button (inside).

### shield

5 standard security shield.

### hinges

6 standard 3 hidden hinges.

optional 3 visible hinges.

### others

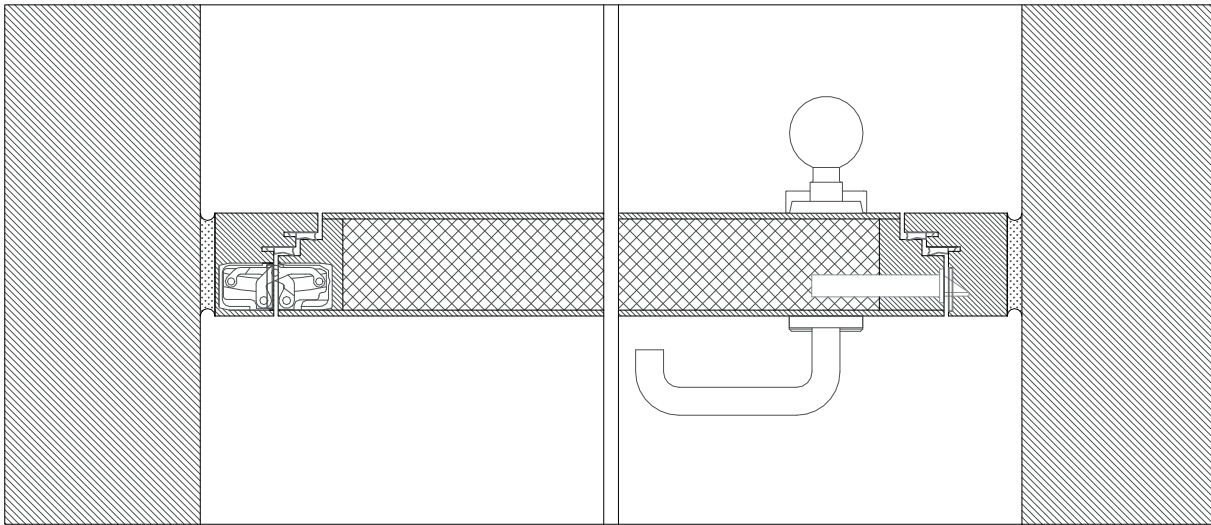
7 standard optical door viewer (180°).

8 optional automatic seal. <sup>(6)</sup>

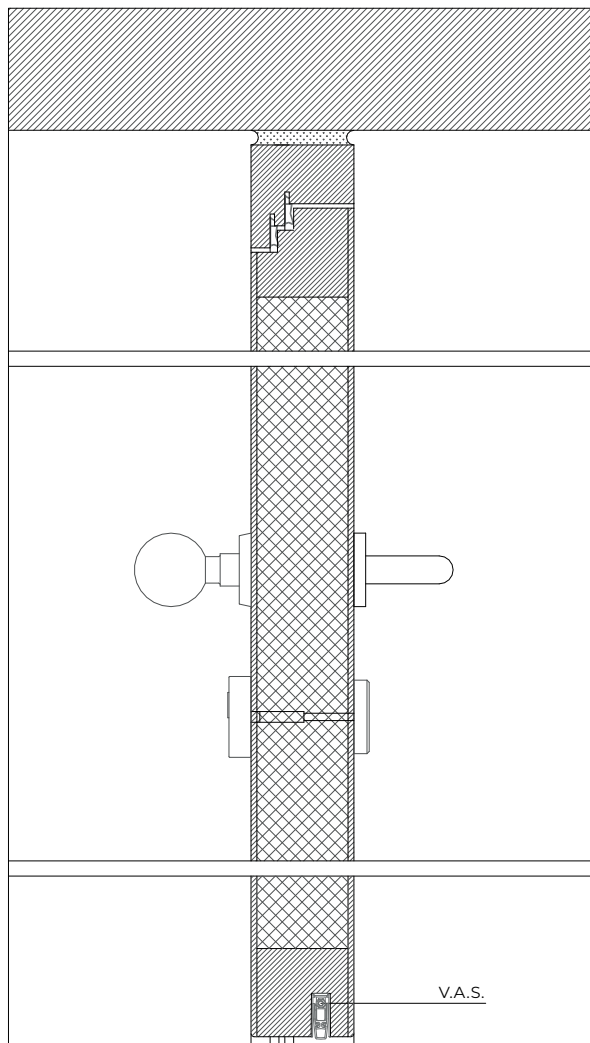
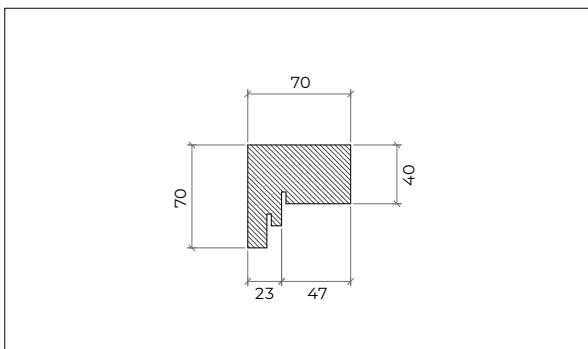
<sup>(6)</sup> acoustic version.

All drawings are in millimeters.

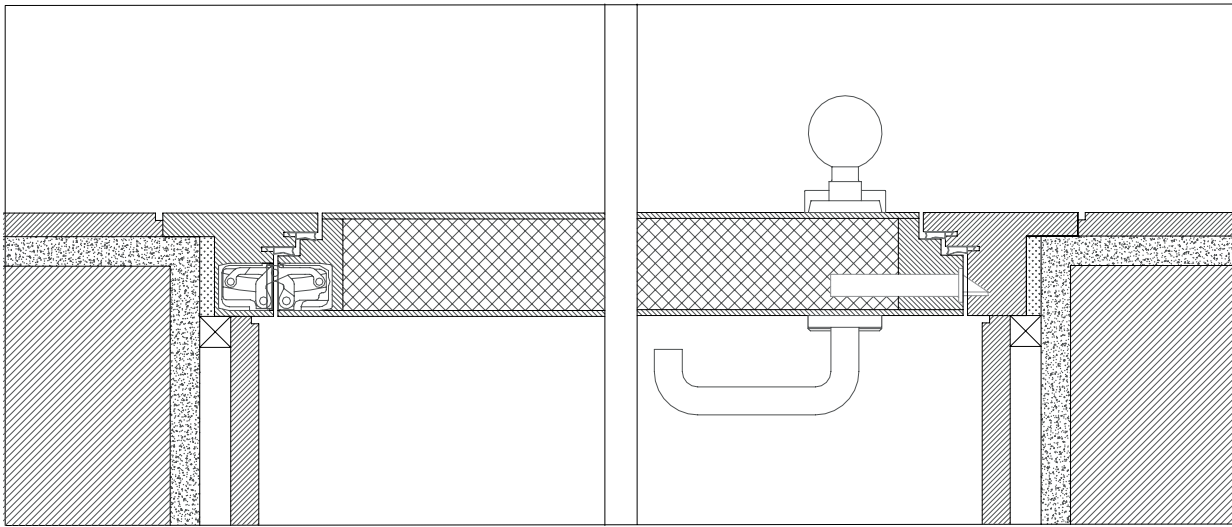
# details



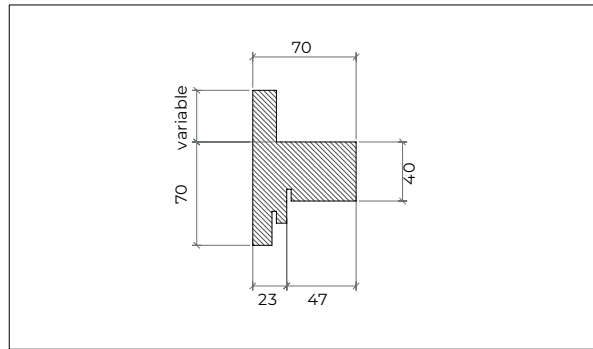
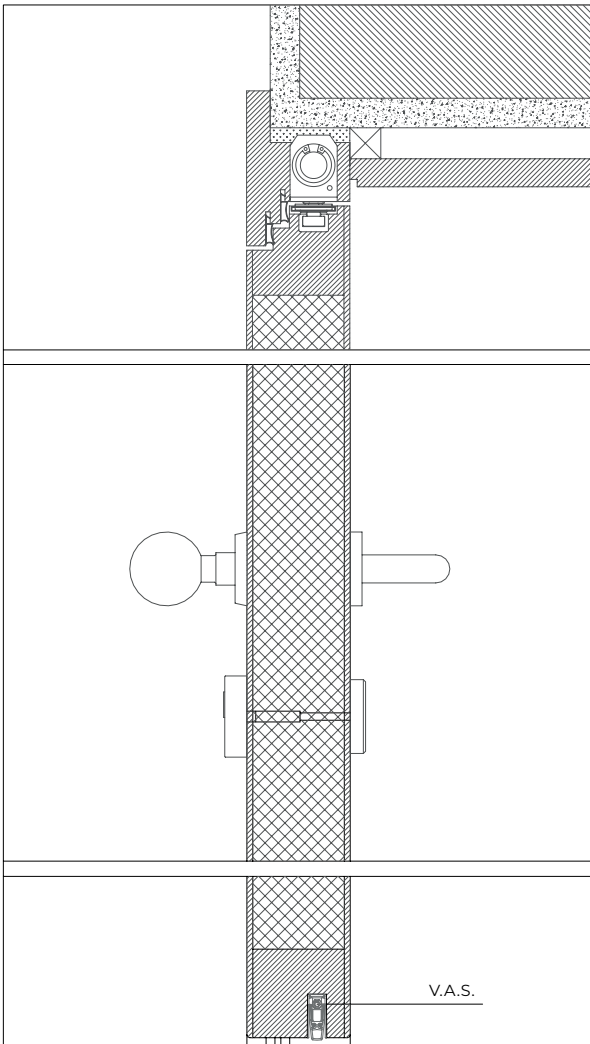
standard frame | concrete wall mounting | fixation with expandable foam



standard frame | concrete wall mounting | fixation with expandable foam



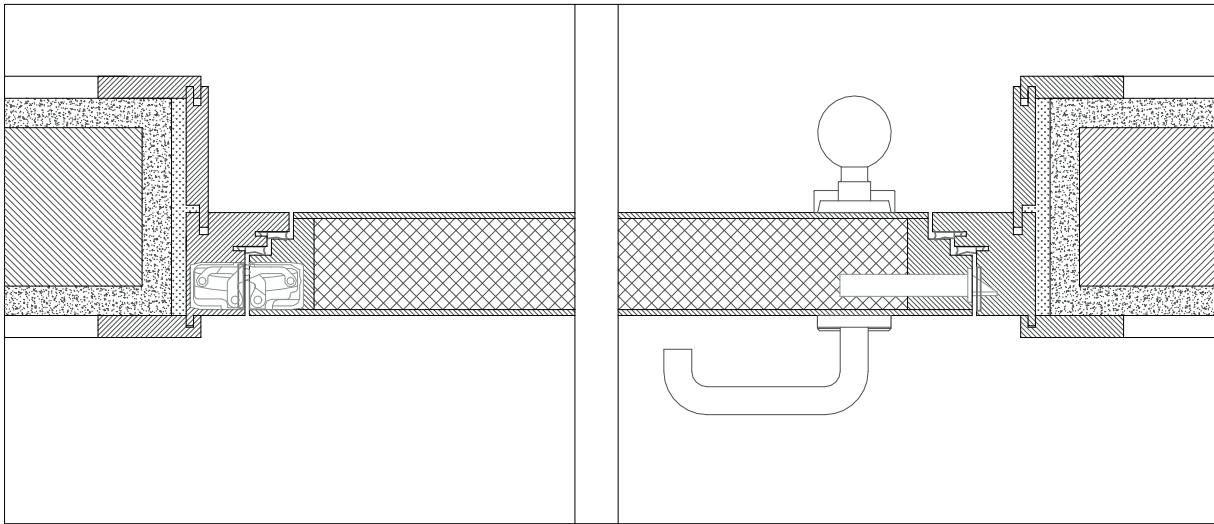
modified frame | masonry wall mounting | fixation with expandable foam | wood finishes



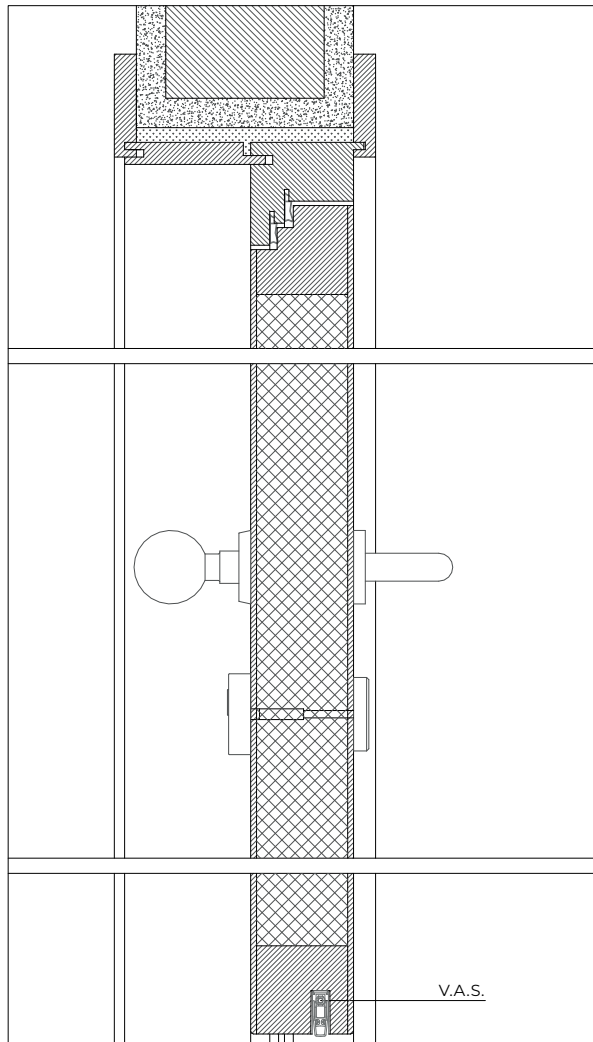
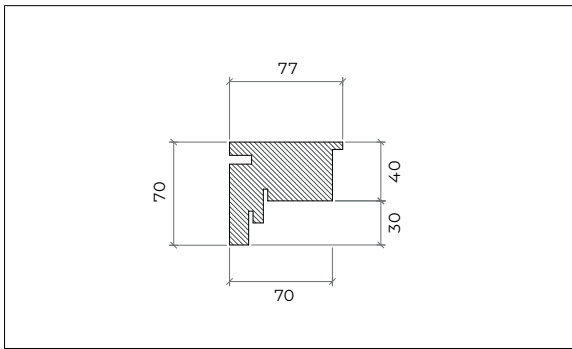
ceiling aligned with the door frame | inverted door closer to allow adjustment from the frame

All drawings are in millimeters.



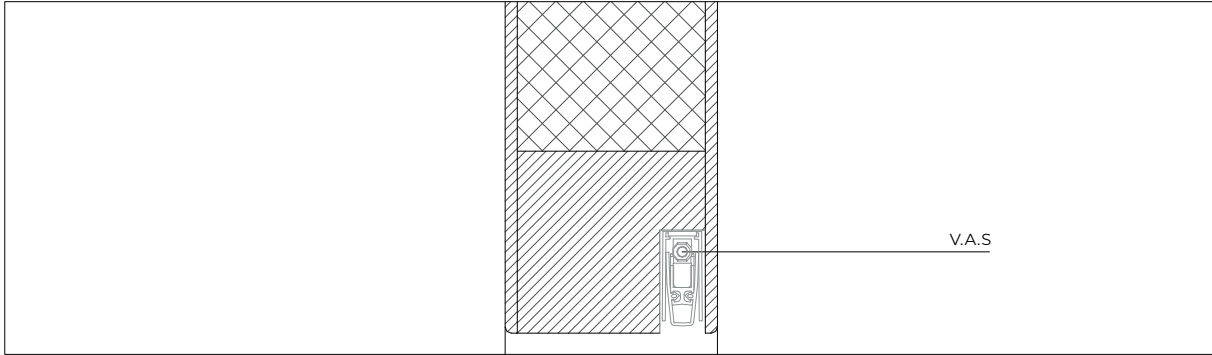


modified frame | masonry wall mounting | fixation with expandable foam | plaster and wood finishes.

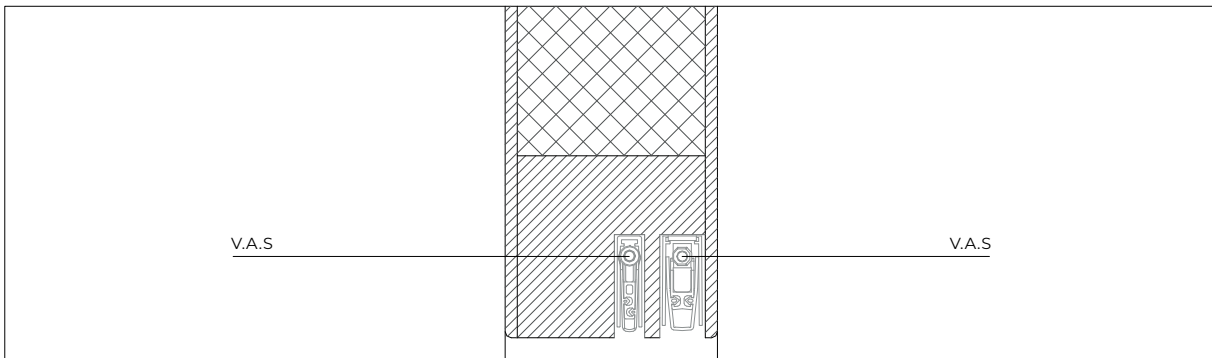


modified frame | masonry wall mounting | fixation with expandable foam | plaster and wood finishes

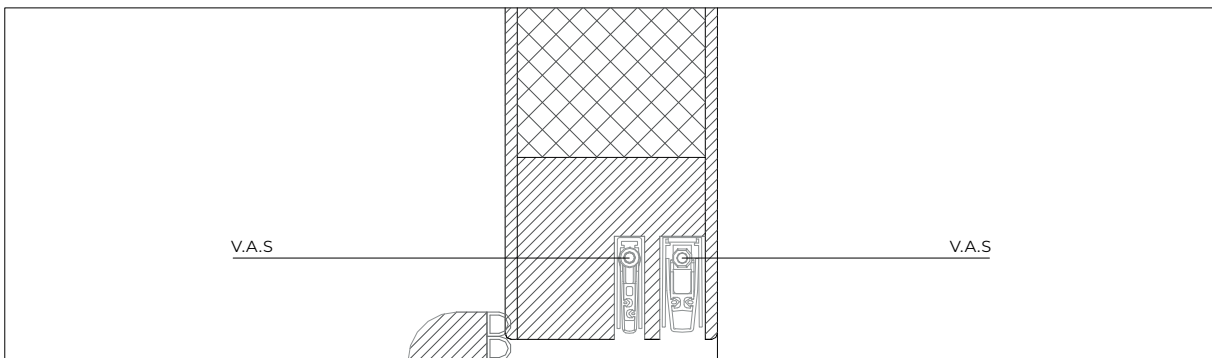
# acoustics



41 dB | drop seal



42 dB | double drop seal



44 dB | threshold and double drop seal

GROUP COMPANY



---

**TRIA SA.**

Parque Ind. Manuel Lourenço Ferreira - Lt.43  
3450 - 232 Mortágua, Portugal  
//+351 231 927 480 //geral@tria.pt  
**www.tria.pt**

VERS.**06.24**